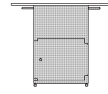
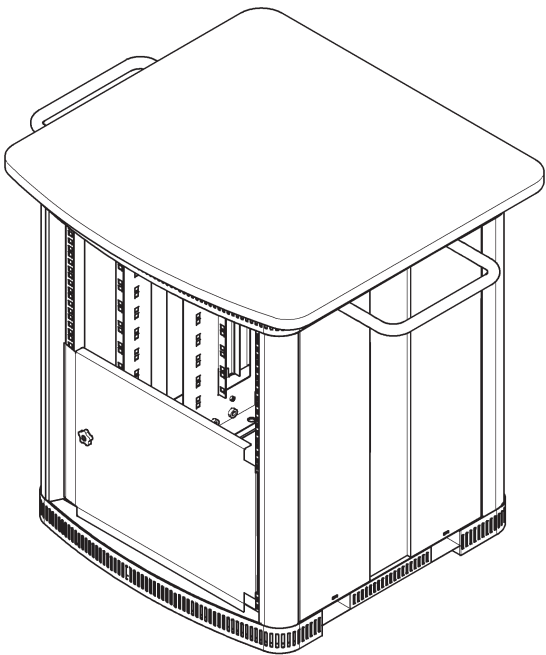


## Educator

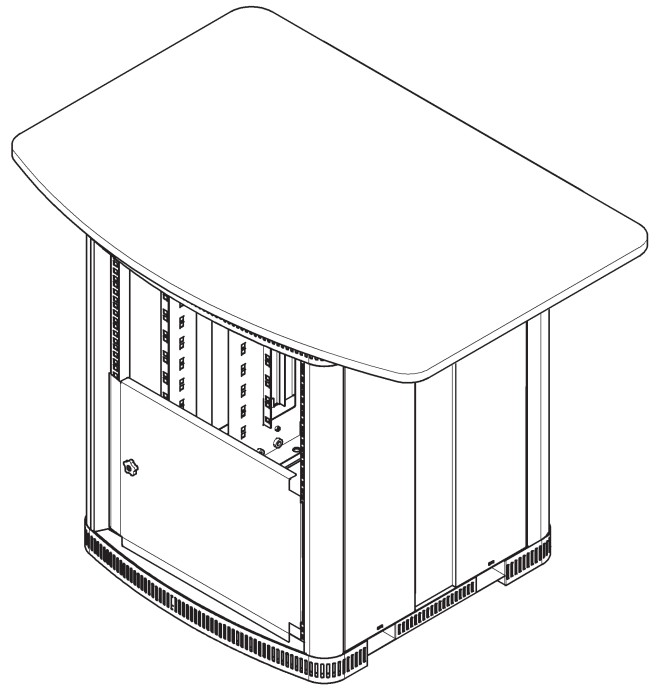
### Assembly instructions for complete Educator Lite and Educator Lite Plus



EDUCATOR  
LITE

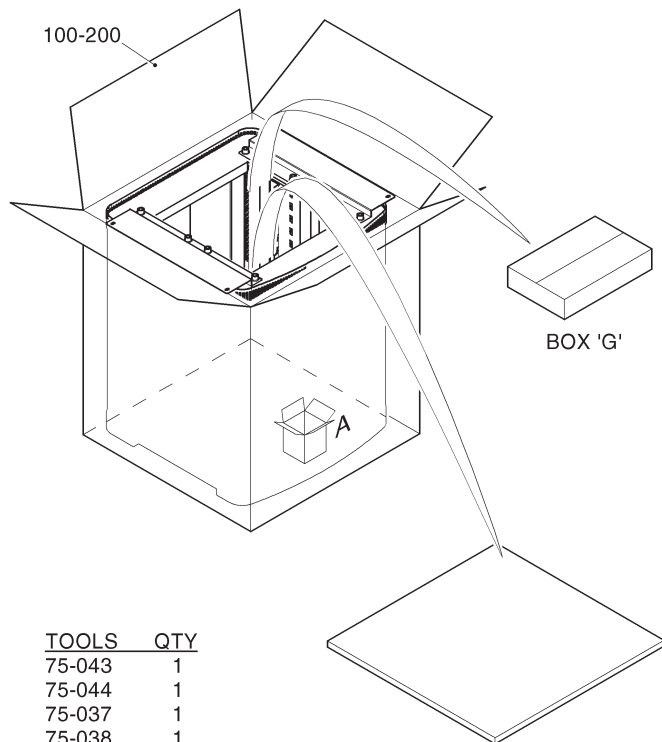


EDUCATOR  
LITE - PLUS

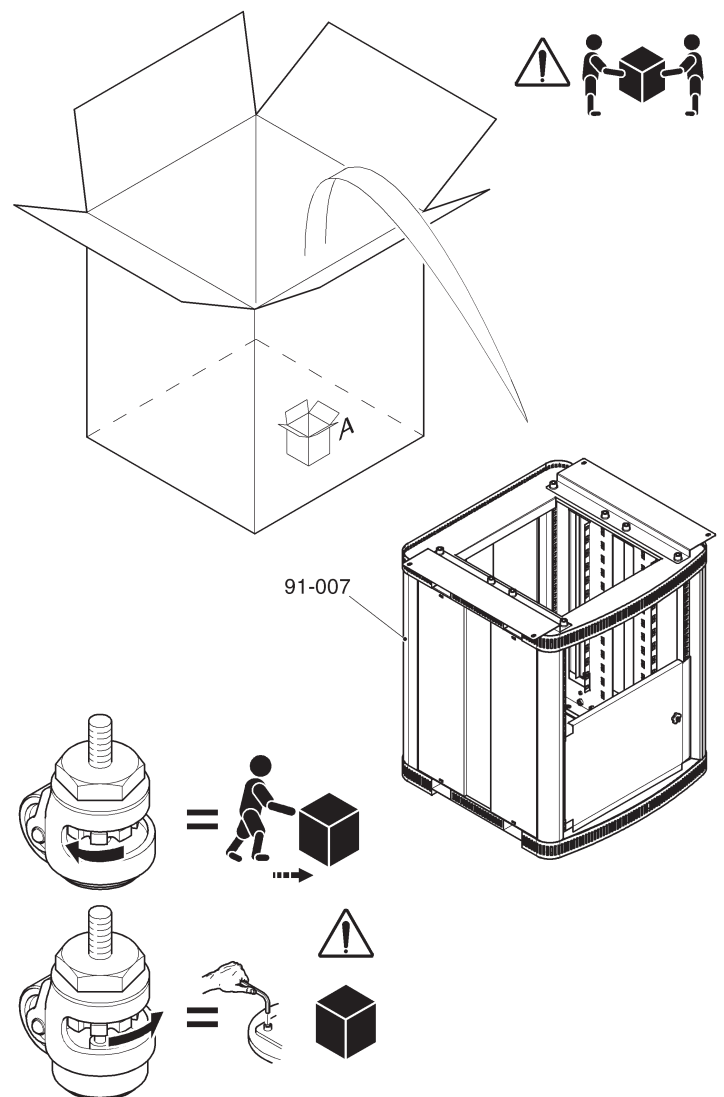
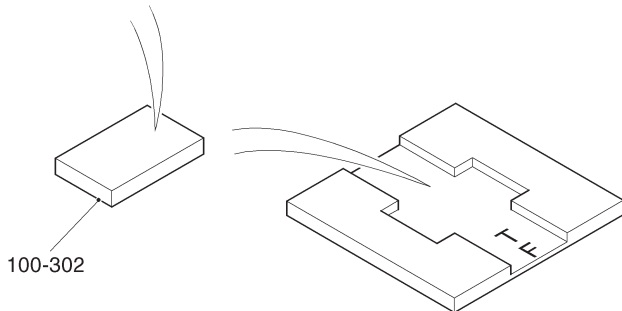


## Educator Lite & Lite Plus

- ① **Unpack Box 'A'. Lift complete rack assembly onto a clean floor. Remove and unpack Box 'G' Rack Handles**



TOOLS	QTY
75-043	1
75-044	1
75-037	1
75-038	1
75-045	1



100-200 Box 'A' exterior packing complete with interior fittings and accessory tray

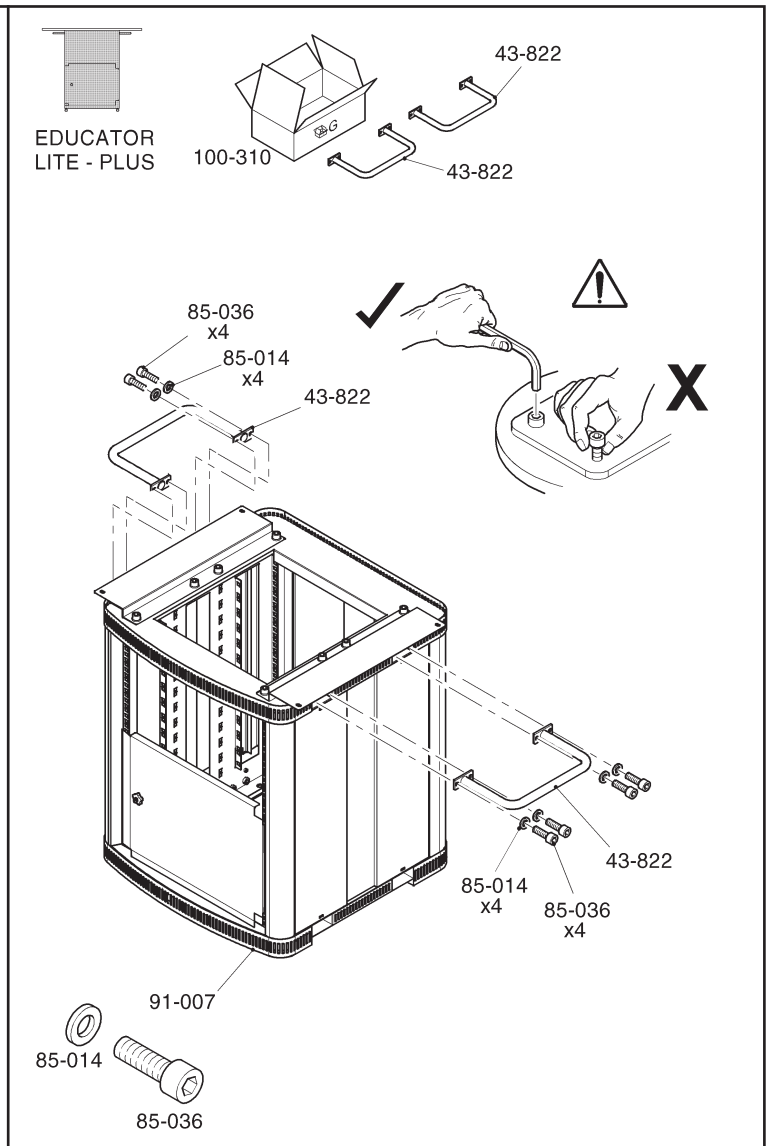
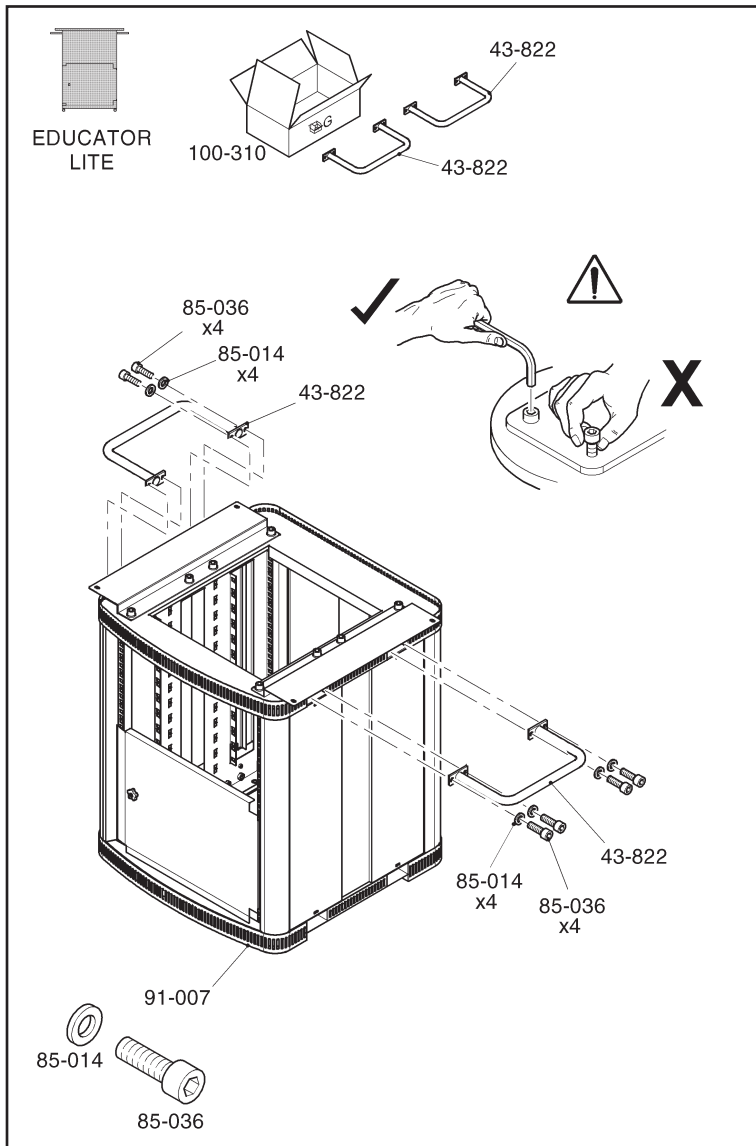
Accessory tray contents:

Tools: Qty: Description

75-043	1	Hex ball key driver 5mm
75-044	1	Hex ball key driver 6mm
75-037	1	System Zero tamperproof driver size 2
75-038	1	System Zero tamperproof driver size 3
75-045	1	13mm open ended spanner

## Educator Lite & Lite Plus

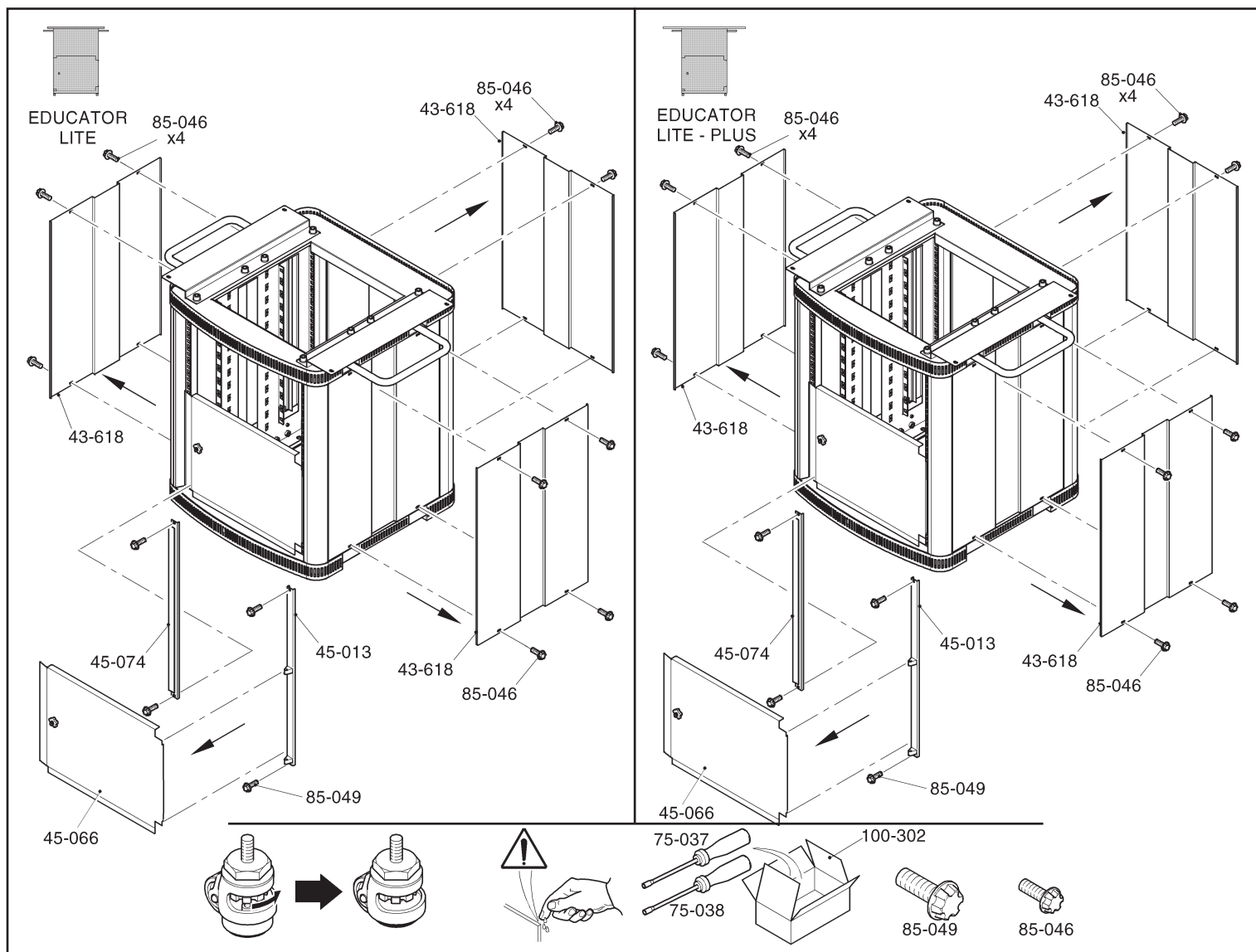
### 2 Unpack Box 'G' and fit handles



85-014	M8 zinc plated plain steel washer
85-036	M8 x 20 zinc plated steel cap head
91-007	Educator rack unit assembly
43-320	Upper outrigger bracket
43-822	Rack handle
100-310	Box 'G' exterior packing complete with 2x 43-822

## Educator Lite & Lite Plus

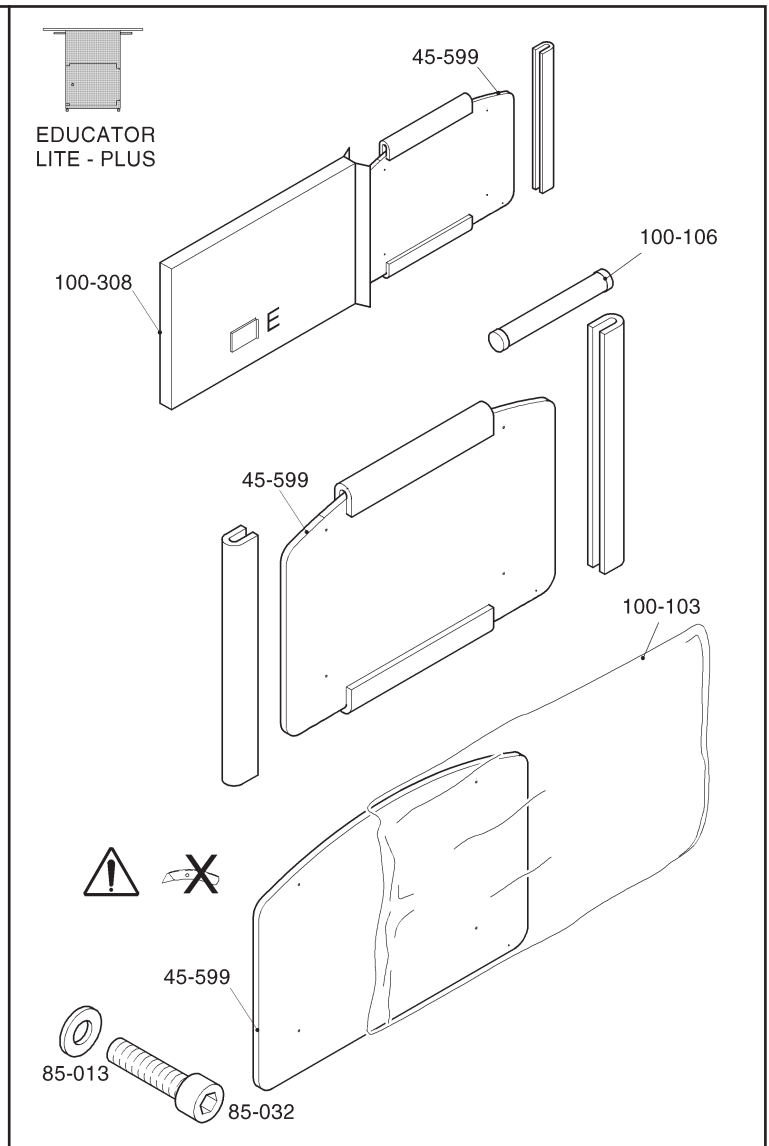
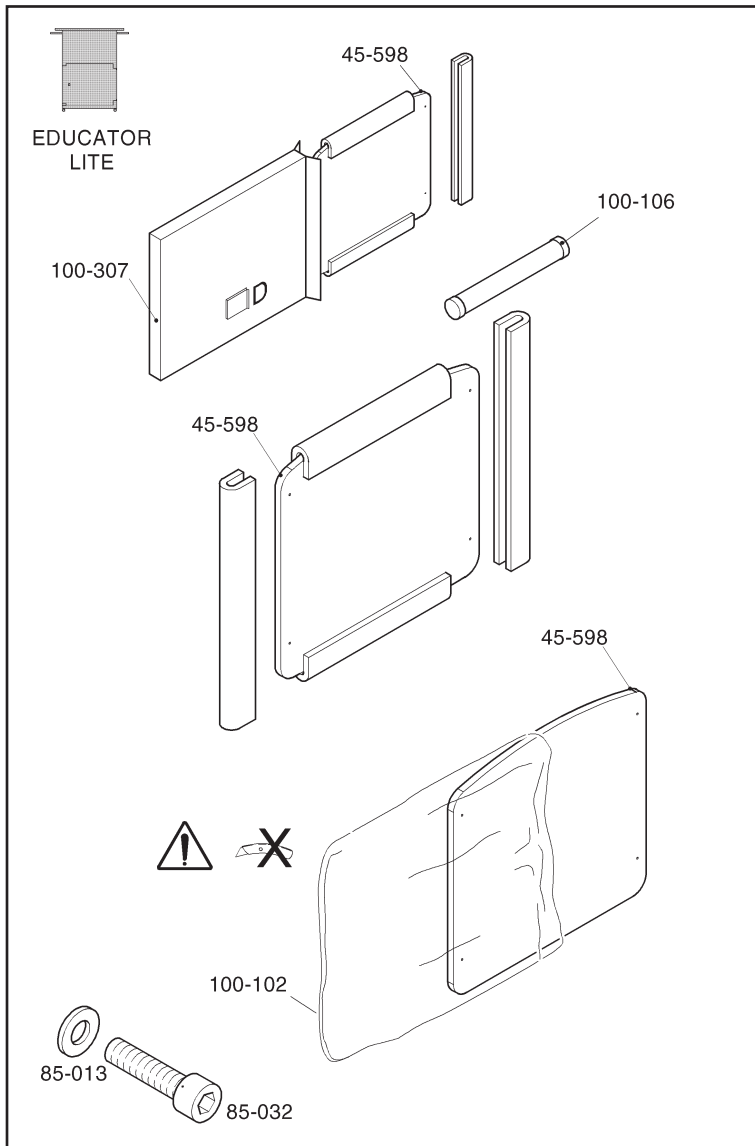
**3** Remove all side covers and door ready for loading equipment and integration



43-618	Educator rack side and rear covers
45-066	8U stainless steel door
45-074	14U rack trim striker with keyed door knob
85-046	M4 x 12 zinc plated steel System Zero screws
100-302	Accessory box containing System Zero tamperproof drivers size 2 and 3
91-007	Educator rack unit assembly

## Educator Lite & Lite Plus

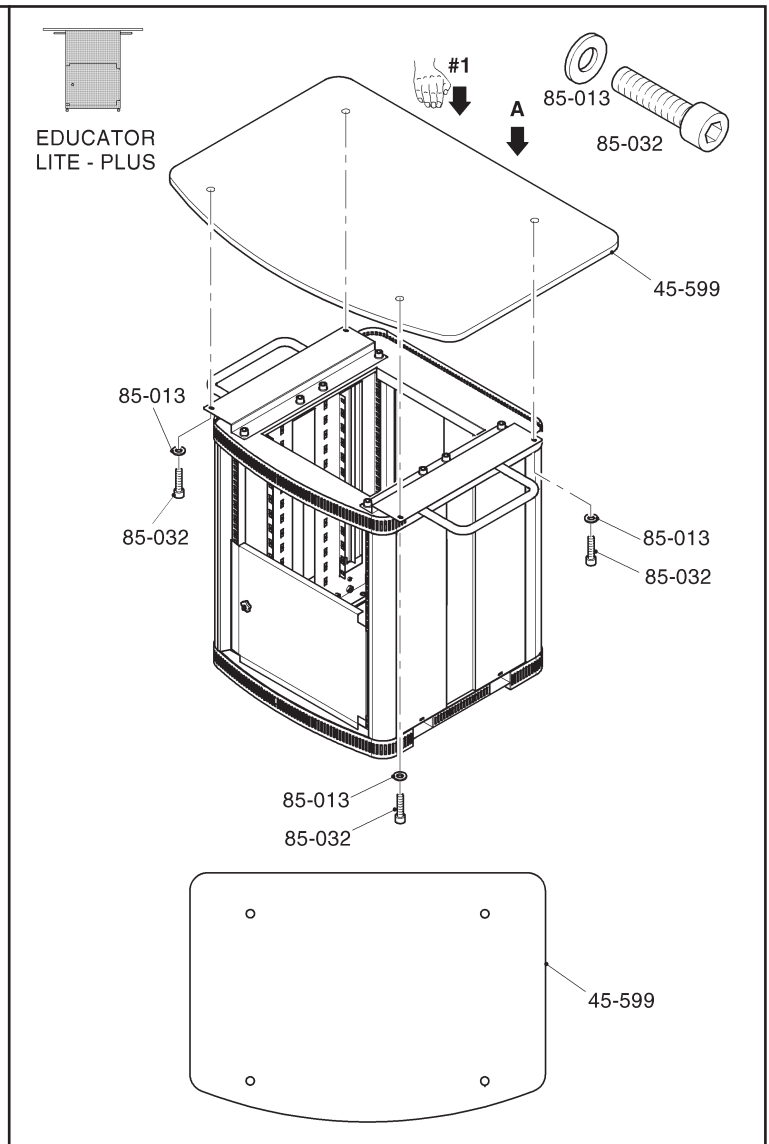
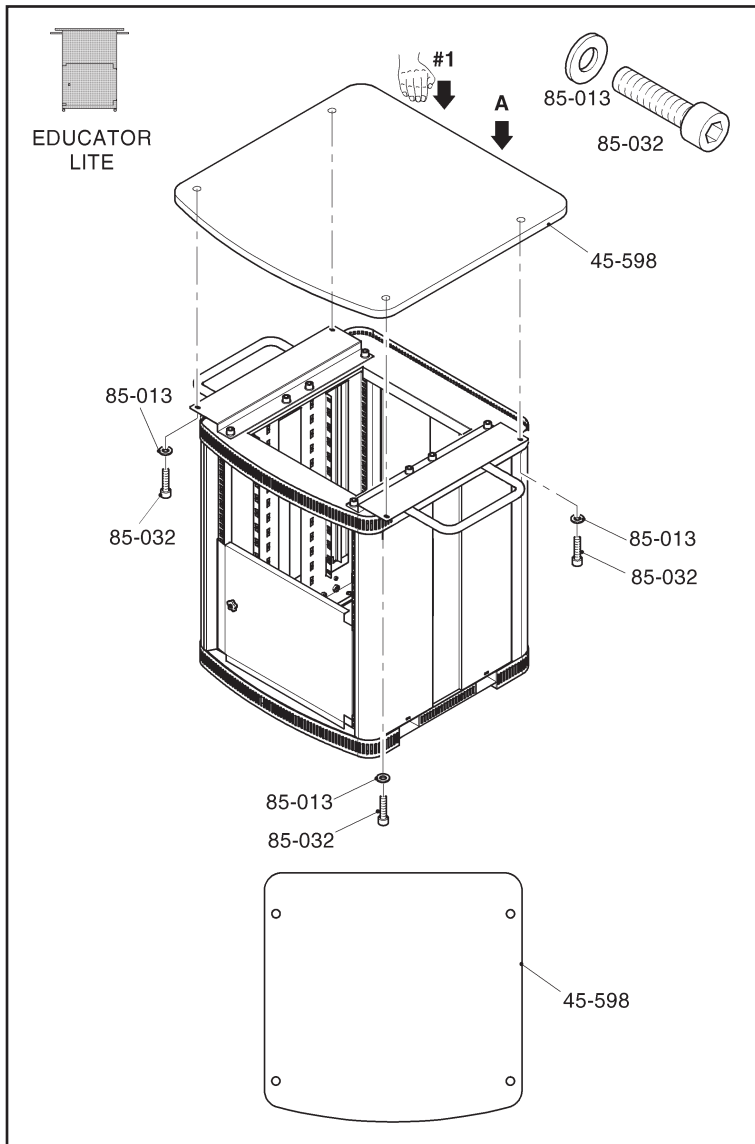
### 4 Unpack Box 'D' for Lite and Box 'E' for Lite Plus



100-307	Box 'D' exterior packing box (Lite)	100-308	Box 'E' exterior packing box (Lite+)
45-598	Educator Lite desktop	45-599	Educator Lite+ desktop
100-102	Educator Lite desktop polythene bag	100-101	Educator Lite+ desktop polythene bag
85-032	M6 x 16 zinc plated steel hex cap head		
85-013	M6 zinc plated steel plain washer		
100-106	Postal tube with end caps 450 x 44		

## Educator Lite & Lite Plus

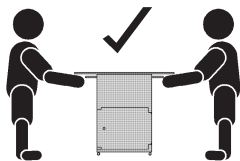
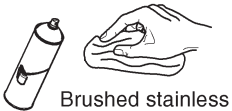
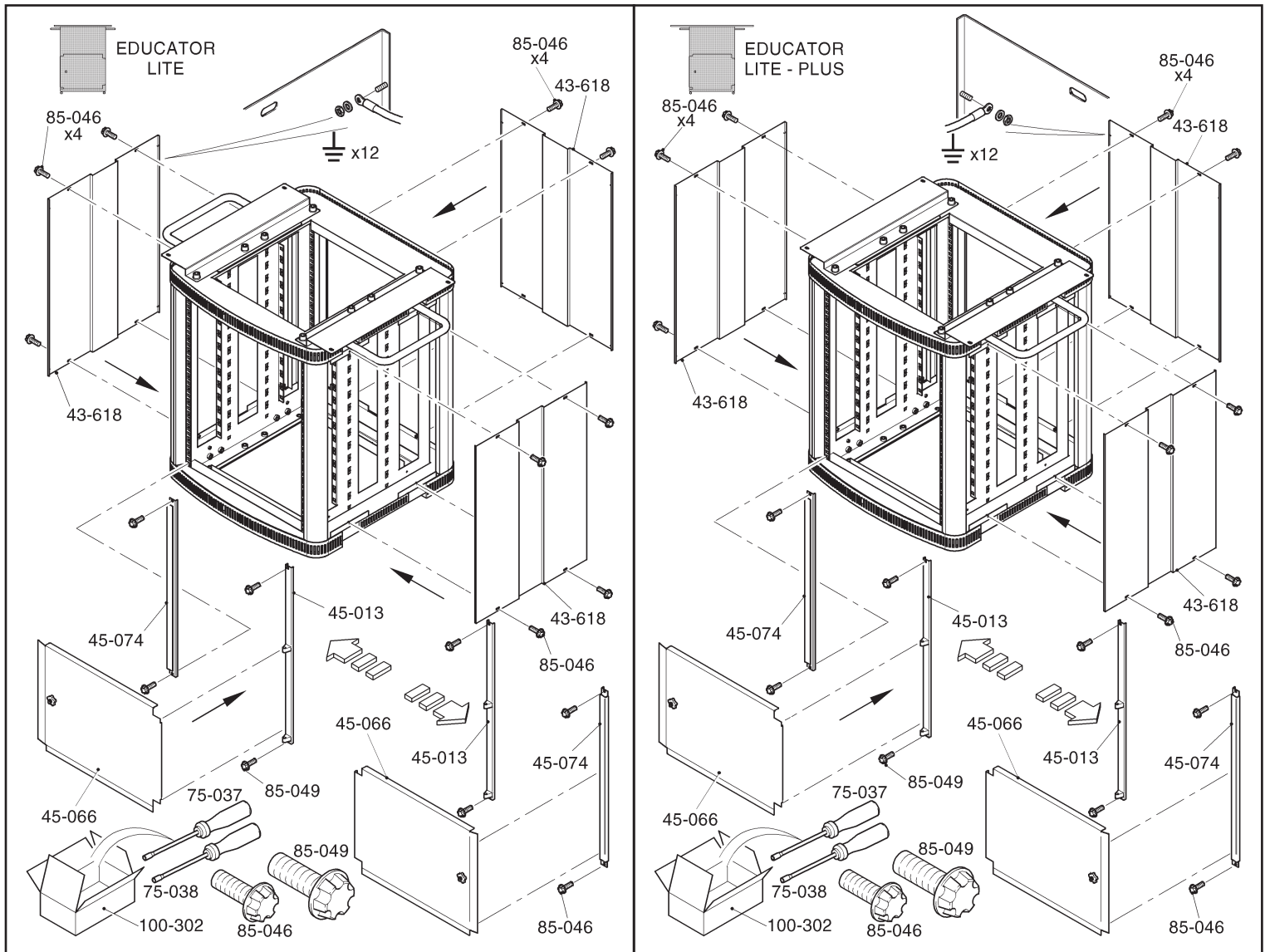
### 5 Lift selected desktop into position and secure to desktop



85-032	M6 x 16 zinc plated steel hex cap head
85-013	M6 zinc plated steel plain washer
45-598	Educator Lite desktop
45-599	Educator Lite Plus desktop

## Educator Lite & Lite Plus

### 6 Refit covers and door removed in Step 3



UK

PASS	Appliance	Read Date	ELECTRICAL SAFETY TEST
	Pass Date	Test Engineer	
	Test Engineer		



